

Product manual



LED 500 SPOT

1 SECURITY TIPS

WARNING!!! To reduce the risk of fire, electric shock, or injury to persons, follow these important safety instructions:

- non-professionals, not to disassemble the light arbitrarily and lighting accessories inside.
- rated voltage range: AC110V-120V/60Hz or AC200V-240V / 50HZ (to be selected).
- not beam irradiate the flammable materials, flammable materials and the lamp should be maintained at least 1M over the distance.
- lamps used in ambient temperature: $-15\text{ }^{\circ}\text{C}$ $-40\text{ }^{\circ}\text{C}$, the highest temperature of the surface of the lamp: $60\text{ }^{\circ}\text{C}$.
- to keep away from the liquid substance and humid environment.
- before using the lights must ensure the good grounding, can not install charging and remove any parts.
- the installation of lamps, must be fixed screw fasteners with additional security cable and regular inspection.
- lamps consecutive working hours is not recommended more than 10 hours.
- should stop using the lights in time when happens unusual conditions during the process
- lamp parts of the rotation, external accessories and paste parts should be regular inspected, such as the emergence of loose and rock, should be reinforced in a timely manner to prevent the accident.
- lamps adopt strong winds to refrigerate, it is easy to accumulate the dust, so you have to clean it weekly especially the cooling air opening, otherwise the dust will plug leading to poor light

2 TECHNOLOGY REFERENCE

Parameter:

Input Voltage: AC100-240V, 50/60HZ

Power Consumption: 500W

Bulb: High power 350W white LED module

Color Temperature: 6500K

LED Life: 20,000 Hours

Spot Uniformity: 90%

Scanning Technique

Pan =540°, Tilt= 270°, with 16bit scan accuracy, fine tuning precision 0.008°, Automatic reset.

Color System

CMY infinite color mixing, CTO color temperature linear adjustment, smooth CMY+CTO color mixing system.

Color Wheel: 7 colors + white, variable speed two-way rainbow effect, linear conversion, color wheel can be positioned.

Rotating Gobo Wheel: 8 plug type rotating gobo wheel + white, gobo wheel can be positioned.

Fixed Gobo Wheel: 11 fixed gobo wheel + white, With gobo jitter function.

Control Programming

DMX Channel: 26/ 22 Channels

Control Mode: DMX512 protocol, RDM data bidirectional transmission

Prism: Rotating 5 prism (optional), 3 prism(optional), reversible rotation

Focus: Electronic focus, ultra smooth adjustment focal length

Strobe: 1-25Hz, electronic strobe speed is 1-13 times per second

Dimming: 1-100% linear dimming

Frost: 1-100% linear frost

Amplification: 4.5°~ 55° linear amplification

Cooling system: Intelligent variable frequency air cooling.

3 Board Instruction

1	Setting s	DMX Address	001-512		
		Fixture Set	Dmx Mode	18CH/24CH	
			Run Mode	DMX/Host	
			Pan Invert	Close/Open	
			Tilt Invert	Close/Open	
			Dimmer Fast	Close/Open	
			No DMX State	Clear/Keep	
			Exit		
		Display	Language	CH/EN	
			Display Flip	Close/Open	
			Display Mode	60S/Show	
			Exit		
		Reset	XY Reset	Cancel/Run	
			Motor Reset	Cancel/Run	
			All Reset	Cancel/Run	
			Factory	Cancel/Run	
			Exit		
		Exit			
		2	Info	Time	Current Time
Total Time	xxxxxH				
Power Count	xxxxxH				
Sensor	Pan				
				
Software Version	Panel			Vxx. x	
	XY			Vxx. x	
	Motor			Vxx. x	
Exit					
3	Manual			Pan	000-255
		Pan Fine	000-255		
		000-255		

		Exit		
4	Factory	Password	000-255	
		Pan	000-255	
		Tilt	000-255	
		000-255	
		Exit		

4 DMX CHANNEL SHEET

25CH	DMX value	Describe
Standard mode	DMX Value	Function
1	0-255	Pan
2	0-255	Pan Low
3	0-255	Tilt
4	0-255	Tilt Low
5	0-255	P/T Speed
6		Macro function
	0-199	Reserve
	200-209	XY Reset
	210-219	Effect Reset
	220-229	All Reset
	230-255	Reserve
7		Shutter
	0-3	Closed
	4-103	STROBE SLOW to FAST
	104-107	Open
	108-207	Invert STROBE SLOW to FAST
	208-212	Open
	213-251	Random Strobe SLOW - FAST
	252-255	Open
8		Dimmer
	0-255	Linear Dimmer
9		CMY-C

	0–255	Linear
10		CMY-M
	0–255	Linear
11		CMY-Y
	0–255	Linear
12		CT0
	0–255	Linear
13		Colour
	0-4	White
	5-9	White+Colour 1
	10-14	Colour 1
	15-19	Colour 1+Colour 2
	20-24	Colour 2
	25-29	Colour 2 + Colour 3
	30-34	Colour 3
	35-39	Colour 3 + Colour 4
	40-44	Colour 4
	45-49	Colour 4 + Colour 5
	50-54	Colour 5
	55-59	Colour 5 + Colour 6
	60-64	Colour 6
	65-69	Colour 6 + Colour 7
	70-74	Colour 7
	75-79	Colour 7 + Colour 8
80-84	Colour 8	
85-89	Colour 8 + Colour 9	

	90-170	FAST ROTATION - SLOW ROTATION
	171-174	STOP
	175-255	SLOW ROTATION - FAST ROTATION
14		Static Gobo
	0-9	white1
	10-19	white2
	20-29	Gobo 1
	30-39	Gobo 2
	40-49	Gobo 3
	50-59	Gobo 4
	60-69	Gobo 5
	70-79	Gobo 6
	80-89	Gobo 7
	90-99	Gobo 8
	100-109	Gobo 9
	110-119	Gobo 1 Jitter
	120-129	Gobo 2 Jitter
	130-139	Gobo 3 Jitter
	140-149	Gobo 4 Jitter
	150-159	Gobo 5 Jitter
	160-169	Gobo 6 Jitter
	170-179	Gobo 7 Jitter
	180-189	Gobo 8 Jitter
	190-199	Gobo 9 Jitter
	200-225	FAST ROTATION - SLOW ROTATION
226-229	STOP	

	230-255	SLOW ROTATION - FAST ROTATION
15		Rot Gobo
	0-9	white
	10-19	Gobo 2 -1
	20-29	Gobo 2 -2
	30-39	Gobo 2 -3
	40-49	Gobo 2 -4
	50-59	Gobo 2 -5
	60-69	Gobo 2 -6
	70-79	Gobo 2 -7
	80-89	Gobo 2 -8
	90-99	Gobo 2 -1 Jitter
	100-109	Gobo 2 -2 Jitter
	110-119	Gobo 2 -3 Jitter
	120-129	Gobo 2 -4 Jitter
	130-139	Gobo 2 -5 Jitter
	140-149	Gobo 2 -6 Jitter
	150-159	Gobo 2 -7 Jitter
	160-169	Gobo 2 -8 Jitter
	170-213	FAST ROTATION - SLOW ROTATION
214-255	SLOW ROTATION - FAST ROTATION	
16		Gobo2/Rot
	0-127	Linear
	128-190	FAST ROTATION - SLOW ROTATION
	191-192	STOP
	193-255	SLOW ROTATION - FAST ROTATION

17		Prism-1
	0-255	Prism-1
18		Prism-1/Rot
	0-127	Rotation
	128-189	FAST ROTATION - SLOW ROTATION
	190-192	STOP
	193-255	SLOW ROTATION - FAST ROTATION
19		Prism-2
	0-255	Prism-2
20		Prism-2/Rot
	0-127	Rotation
	128-189	FAST ROTATION - SLOW ROTATION
	190-192	STOP
	193-255	SLOW ROTATION - FAST ROTATION
21		Frost
	0-127	Reserve
	128-255	Frost
22	0-255	Focus
23	0-255	Focus Fine
24		Zoom
	0-255	Linear Zoom
25	0-255	Zoom Fine

5 FIXED EQUIPMENT

Please keep the equipment far away from the flammable objects like finishing material, etc. keep at least 0.5m distance from the flammable objects.

Warning: using two lamp clamps fix the equipment on the bottom of the lamp holder according to the instruction. to make sure the place of install the lamp is safe and suitable ,and the installation point that have chosen is safety and reliable.

The place of installing the lamp must support the 10 times weight of the lamp itself. And test the pensile place and make sure the place isn't out of the shape.

Must install the second protection when fixing the equipment like proper protective screening. The second protection is used to prevent drop off and lost of lamp and components.

Lamps can directly install the lamp holder , which is shown in the

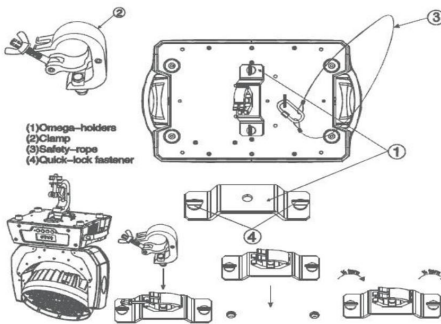



figure:

6 MAIN MACHINE CONNECTION

Please checking the power equipment supported.

Please put the plug of power source wire connect with the main power source .

(EU)Wire	Wire(America)	Direction of wire	General marks
Brown	Black	Live	L
Light blue	White	Neutral	N
Yellow/Green	Green	Earth	



Warranty Card

Name	Model
------	-------

Production	Purchase
------------	----------

End User
Company Name:
Add:

Sale Store	
Link man:	Stamp
Tel:	

Description: These must be truthfully fill, seal by the end-user and point-of-sale, or else the warranty will not work (warranty period and terms, see the following)

warranty period: one year since purchase warranty terms: 1、 If fail when using the product in normal state, you can made under the provisions of the warranty, show the warranty card and purchase bills(copy), and enjoy free maintenance service in a specific service center or the manufacturer.

2. The following will be the implementation of paid service:

- (1)Without the effective warranty card
- (2)There's blank, alter and no point-of-sale name
- (3)Fail caused by unresistance
- (4)Fail caused by transportation or unloading
- (5)Fail caused by not operate by manual
- (6)Fail caused by disassemble without unauthorized
- (7)Fail caused by using the unauthorized control system

Note:

Based on our company continue to improve the product, the statement containing data may have changed, and will not notice the change any more. Company retains its right to change specifications related when product is improved. Thanks for your understanding.